

- 1**
BUS STARTS
Cottonwood Plaza
- 2**
Bus Leaves
Main & Glen Crossing
- 3**
Bus Leaves
Anderson Hospital
- 4**
Bus Leaves
Super Valu
- 5**
BUS ENDS
Market & Hickory

WEEKDAYS					
A.M.	8:39	8:46	8:54	9:01	9:06
	9:39	9:46	9:54	10:01	10:06
	10:39	10:46	10:54	11:01	11:06
	11:39	11:46	11:54	12:01	12:06
P.M.	12:39	12:46	12:54	1:01	1:06
	1:39	1:46	1:54	2:01	2:06
	2:39	2:46	2:54	3:01	3:06
	3:39	3:46	3:54	4:01	4:06

INSTRUCTIONS

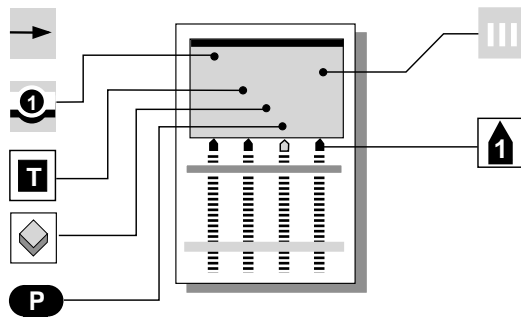
The route always runs from left to right. The map and timetable are also read from left to right.

The bus stops here at listed times. Look for the matching symbol below the map.

The transfer point shows where other bus routes intersect with this route.

Indicates points of interest the bus passes along the route.

Indicates Park & Ride Lots available along the route.



The bus loops here sometimes. Tip: Look for questions and answers either below or on the map.

The schedule shows times for bus stops indicated along this route. If you need help figuring out times for other stops, call us at **(618) 931-RIDE (7433)** or TDD **(618) 797-6000**.

Days of Operation—Monday through Friday. Service will not operate on the following holidays: New Year's Day, Memorial Day, Independence Day, Labor Day, Thanksgiving and Christmas.

Cash Fares	Adult	Elderly*/ Disabled** with Official ID	Children 5-12	Children under 5 with an Adult	
Regional Express	\$1.50	\$.75	\$.75	FREE	*Elderly ID-65+ with Metro (Bi-State) Elderly ID or red, white and blue Medicare card.
Regional Metrobus	\$1.25	\$.60	\$.60	FREE	**Disabled ID-Metro (Bi-State) Disabled Card, MCT ADA Card, or Medicare Card.
Extension Local	\$1.00	\$.50	\$.50	FREE	Passengers without Elderly or Disabled ID must pay full fare.
Neighborhood	\$.50	\$.25	\$.25	FREE	Valid Metro (Bi-State) passes and tickets are accepted for value toward fare. Valid transfers are good for 30 minutes from time marked. Regional transfers good for 2 hours from time marked.
Local Transfer	FREE	FREE	FREE	n/a	
Regional Transfer	\$.25	\$.10	\$.10	n/a	If there is a fare or transfer dispute, pay the fare as requested and contact MCT. For additional fare or schedule information, call (618) 931-7433 or TDD (618) 797-6000 .

INSTRUCCIONES

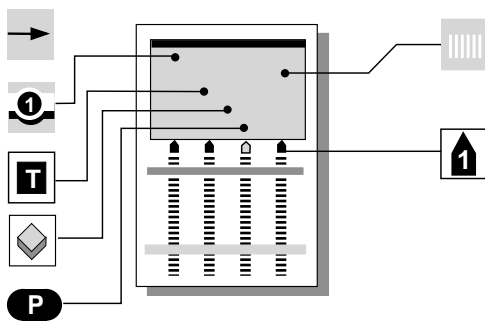
La ruta siempre va de derecha a izquierda. El mapa y el horario también se leen de derecha a izquierda.

El autobús para aquí a las horas marcadas. Busque el símbolo que corresponda debajo del mapa.

Puntos de transferencia donde otras líneas de autobuses cruzan esta ruta.

Indica los puntos de interés que el autobús cruza en su ruta.

Indica lotes de aparcamiento "Park & Ride" que hay a lo largo de la ruta.



El autobús hace un círculo aquí para servicio poco frecuente. Ayuda: Busque preguntas y respuestas mas abajo o en el mapa.

El horario muestra las horas para las paradas indicadas a lo largo de la ruta. Si necesita ayuda en determinar las horas para otras paradas, llámenos al **(618) 931-RIDE (7433)** o TDD **(618) 797-6000**.

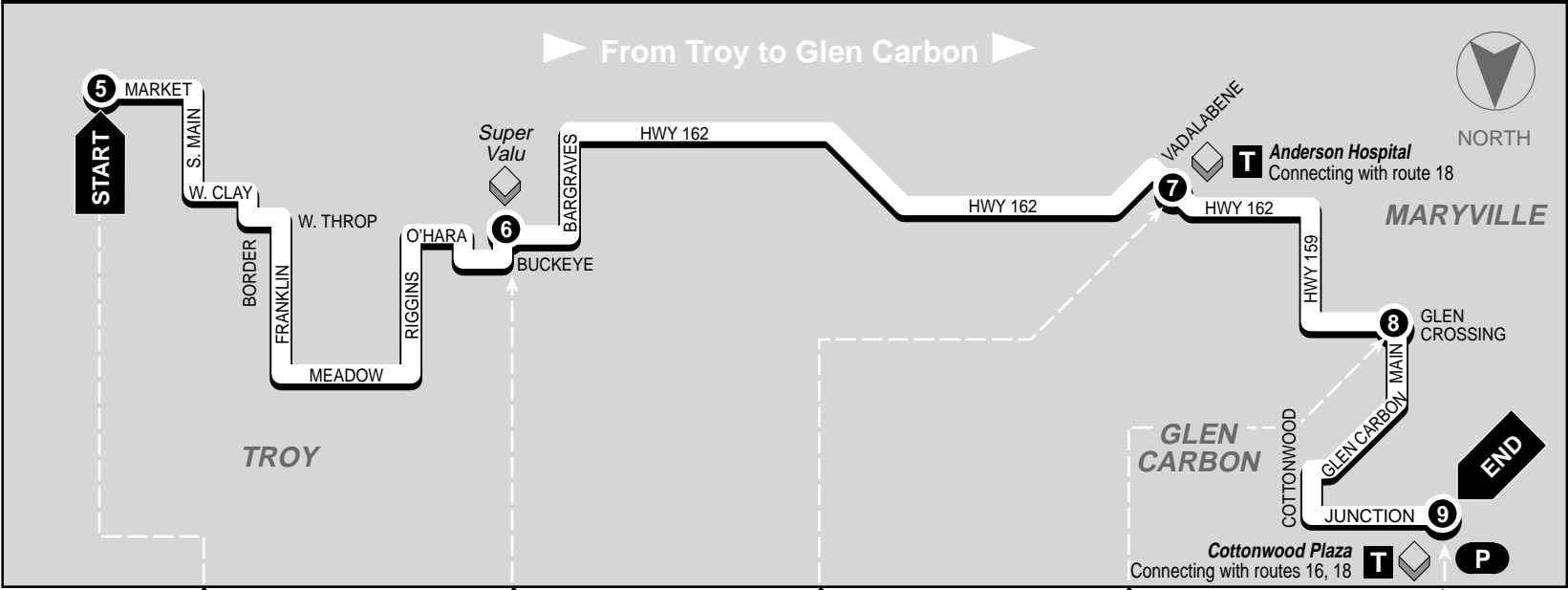
Días de Servicio. Lunes a Viernes. El servicio no opera en los feriados siguientes: Año Nuevo, Memorial Day, Independence Day (4 de julio), Labor Day, Thanksgiving y Navidad.

Pasaje En Efectivo	Adulto	Anciano/ Deshabilitado Con Identidad Oficial	Niños 5-12	Niños Menores de 5 con Adulto	
Regional Express	\$1.50	\$0.75	\$0.75	Gratis	*Ancianos ID- 55+ con Metro ID (Bi-State) o tarjeta de color rojo, azul y blanco de Medicare.
Regional Metrobus	\$1.25	\$0.60	\$0.60	Gratis	**Deshabilitado ID-Tarjeta de Deshabilitado Metro (Bi-State), tarjeta MTC, ADA o Tarjeta de Medicare.
Extensión Local	\$1.00	\$0.50	\$0.50	Gratis	Pasajeros sin identificación deben pagar el precio completo.
Neighborhood (Vecindad)	\$0.50	\$0.25	\$0.25	Gratis	Pases Metro (Bi-State) y billetes son aceptados como valor para pasaje. Transferencias válidas duran 30 minutos desde la hora marcada. Transferencias regionales son válidas por dos horas desde el tiempo marcado.
Transferencia Local	Gratis	Gratis	Gratis	n/a	Si hay una disputa de pasaje o transferencia, pague el pasaje como requerido y póngase en contando con MCT. Para mas información sobre pasajes y horarios llame al (618) 931-7433 o TDD (618) 797-6000 .
Transferencia Regional	\$0.25	\$0.10	\$0.10	n/a	

ROUTE
13

TROY – GLEN CARBON

ROUTE
13



- 5** BUS STARTS Hickory & Market
- 6** Bus Leaves Super Valu
- 7** Bus Leaves Anderson Hospital
- 8** Bus Leaves Main & Glen Crossing
- 9** BUS ENDS Cottonwood Plaza

WEEKDAYS					
A.M.	8:06	8:12	8:19	8:27	8:33
	9:06	9:12	9:19	9:27	9:33
	10:06	10:12	10:19	10:27	10:33
	11:06	11:12	11:19	11:27	11:33
P.M.	12:06	12:12	12:19	12:27	12:33
	1:06	1:12	1:19	1:27	1:33
	2:06	2:12	2:19	2:27	2:33
	3:06	3:12	3:19	3:27	3:33
	4:06	4:12	4:19	—	—

Madison County Transit Services

MCT Express
Weekday express bus service to and from downtown St. Louis. Routes 1X, 12X, 14X, 16X

MCT Metro
Local bus service within Madison County that connects to MetroLink and downtown St. Louis. Routes 5, 18

MCT Local
Local bus service within Madison County only.*
Routes 1, 2, 4, 7, 8, 9, 10, 11, 12, 13, 14EX, 15*, 16, 17
* Route 15 also serves Fairview Heights

MCT EZ Ride
New bus service for Hartford, Roxana and South Roxana that offers a flexible, convenient way to go where you want to, and a choice of how to get there. Route 6

MCT Redbird Express
Catch every Cardinals home weekday day, Friday night, Saturday, Sunday, holiday and playoff game.

MCT Muny Express
Find the best seat at the Muny for every Friday evening performance.

MCT Rams Express
Catch every Rams home preseason, regular season and playoff game.

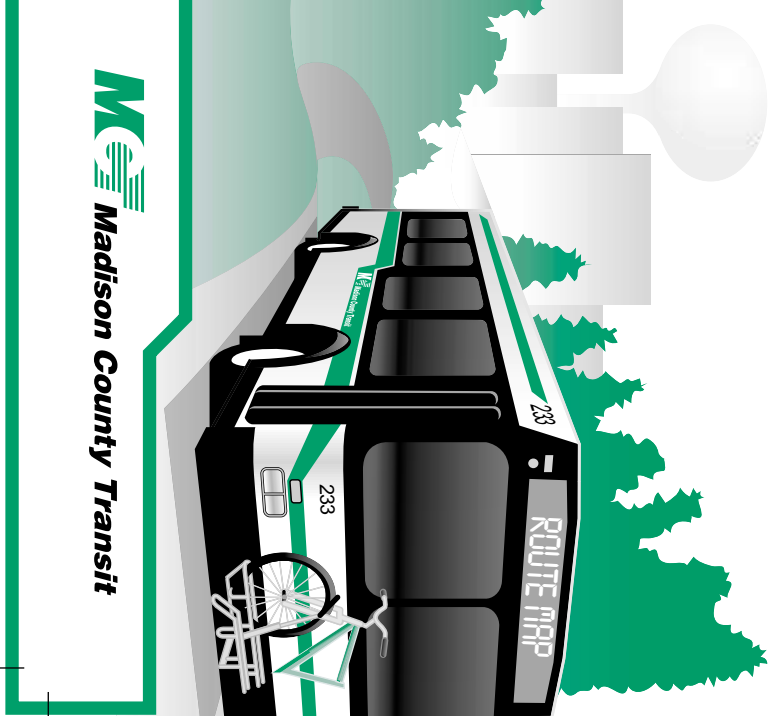
MCT Trails
Experience the more than 75 miles of scenic trails that comprise the MCT Trails bikeway system. Visit www.mcttrails.org

ACT Paratransit
Residents age 65 or older or who have a disability can travel door-to-door on the ACT paratransit service.

RideFinders
Move into the fast lane to a better commute by sharing the ride to and from work in a carpool or vanpool. Visit www.ridefinders.org

For specific information on these and other services, routes and schedules, please call (618) 931-RIDE (7433) / TDD (618) 797-6000 or visit www.mct.org

- Troy
- Super Valu
- Maryville
- Anderson Hospital
- Glen Carbon
- Cottonwood Plaza



MCT Madison County Transit