

BASS DRIVE CULVERT REPLACEMENT

CITY OF TROY

116 E. MARKET ST.

TROY, IL 62294

ENGINEER

OATES ASSOCIATES
 Consulting Engineers
 COLLINSVILLE | ST. LOUIS | BELLEVILLE | ST. CHARLES

100 Lanter Court, Suite 1
 Collinsville, IL 62224
 Tel: 618.345.2200

www.oatesassociates.com
 ILLINOIS DESIGN FIRM LICENSE NO. 104.001115 EXPIRES 04/30/2017

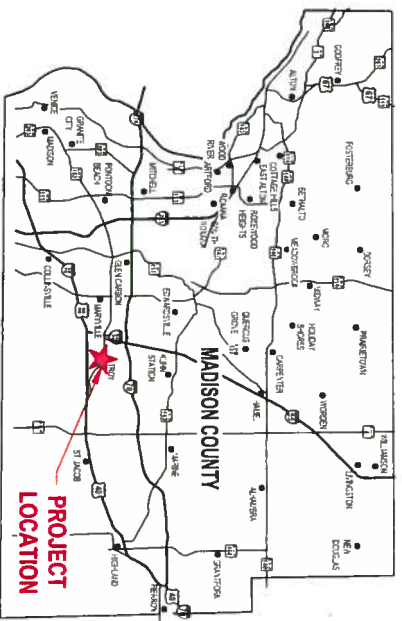
PROJECT MANAGEMENT & CIVIL ENGINEER

OATES ASSOCIATES, INC.
 EASTPORT BUSINESS CENTER 1
 100 LANTER COURT, SUITE 1
 COLLINSVILLE, ILLINOIS 62224

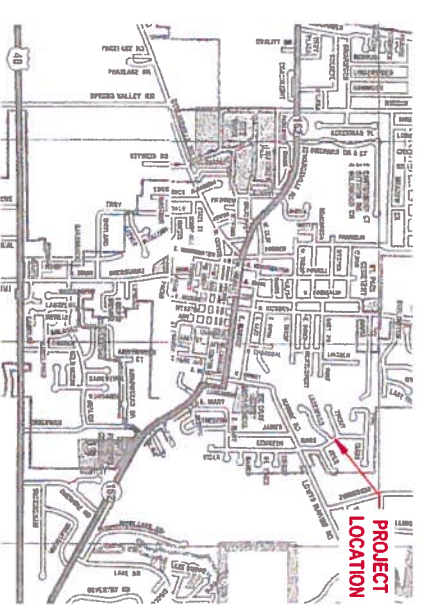
CONTACT: TOM OSSELL
 PROJECT MANAGER
 618.345.2200
 Tom.Ossell@oatesassociates.com



VICINITY MAP



LOCATION MAP

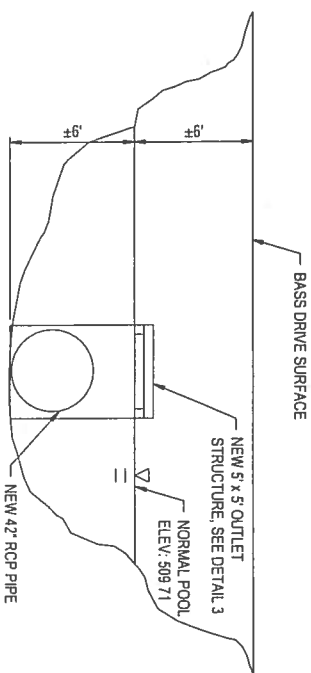


AERIAL MAP

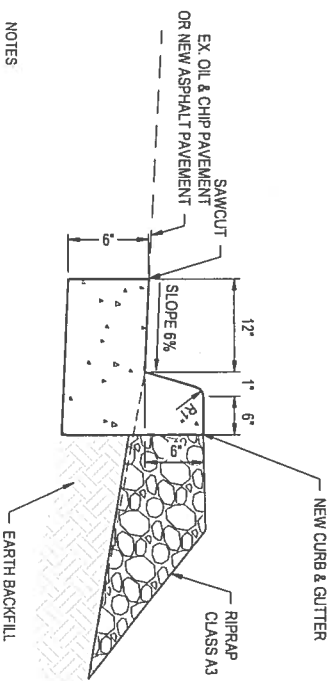


INDEX OF DRAWINGS

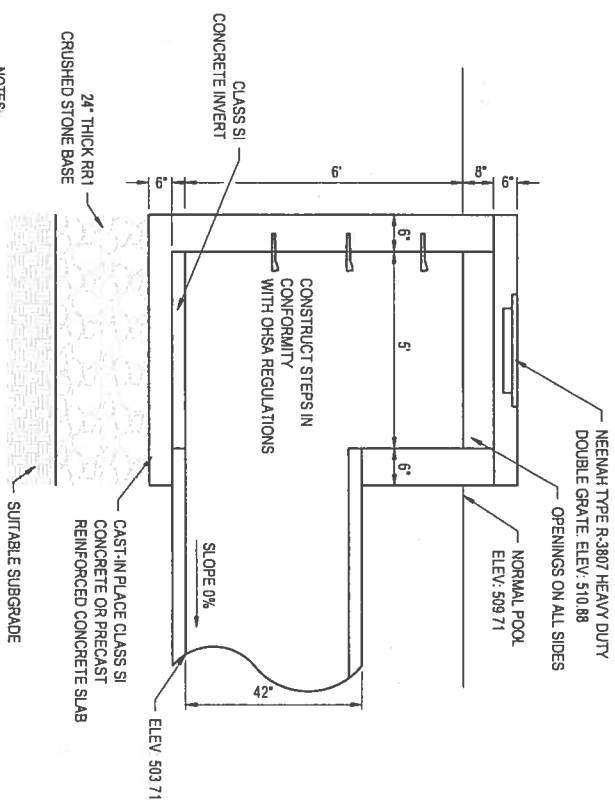
G1.0	COVER SHEET
CO 1	GENERAL NOTES, UTILITY CONTACTS, ABBREVIATIONS, & SYMBOLS
C1.1	SITE PLAN
C2.1	SITE PLAN DETAILS
C2.2	GUARDRAIL DETAILS



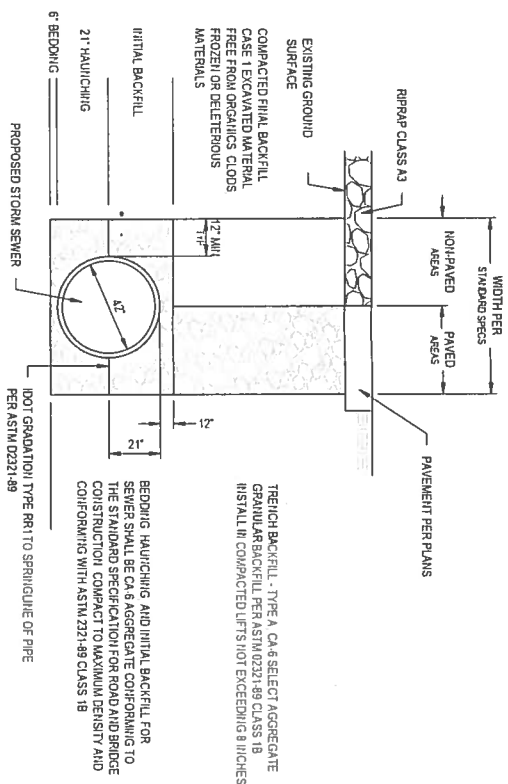
1 ELEVATION VIEW
SCALE: NO SCALE



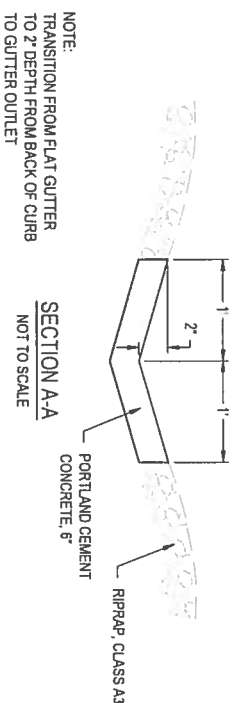
4 B6.12 CURB & GUTTER
SCALE: NO SCALE



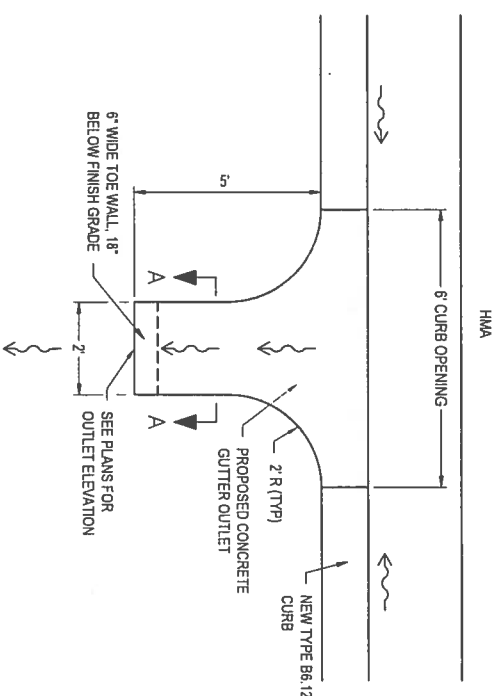
5 5' x 5' OUTLET STRUCTURE
SCALE: NO SCALE



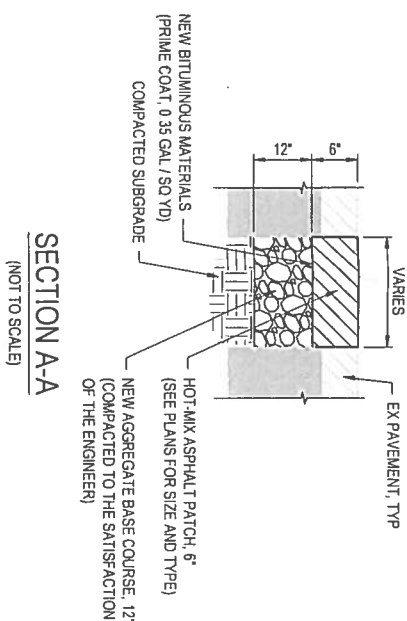
2 STORM SEWER INSTALLATION DETAIL
SCALE: NO SCALE



3 HOT-MIX ASPHALT PAVEMENT PATCH DETAIL
SCALE: NO SCALE



6 GUTTER OUTLET DETAIL
SCALE: NO SCALE



SECTION A-A
(NOT TO SCALE)



CITY OF TROY, ILLINOIS
BASS DRIVE CULVERT REPLACEMENT
SITE PLAN DETAILS



100 Lanter Court, Suite 1
Collinsville, IL 62234
tel/ 618.345.2200
www.datesassociates.com
ILLINOIS DESIGN FIRM LICENSE NO. 184.001115

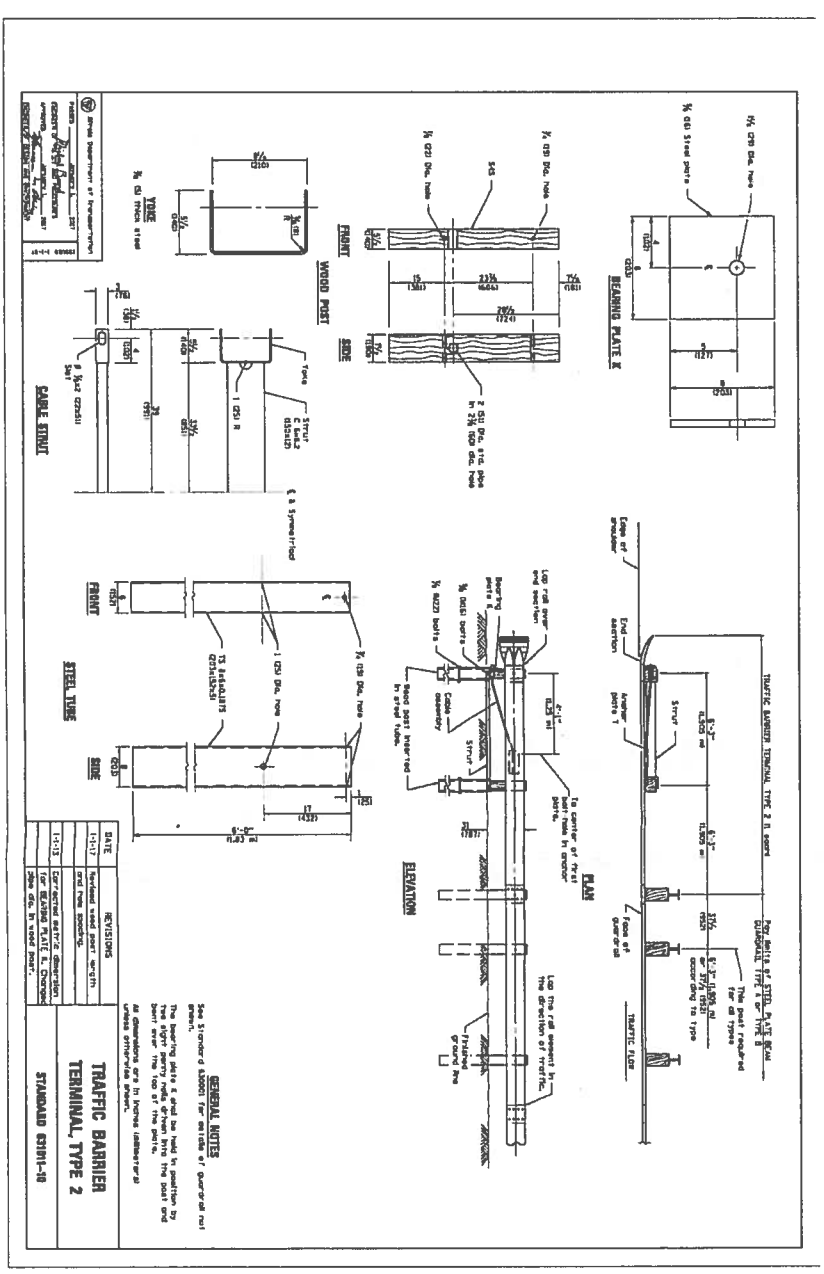
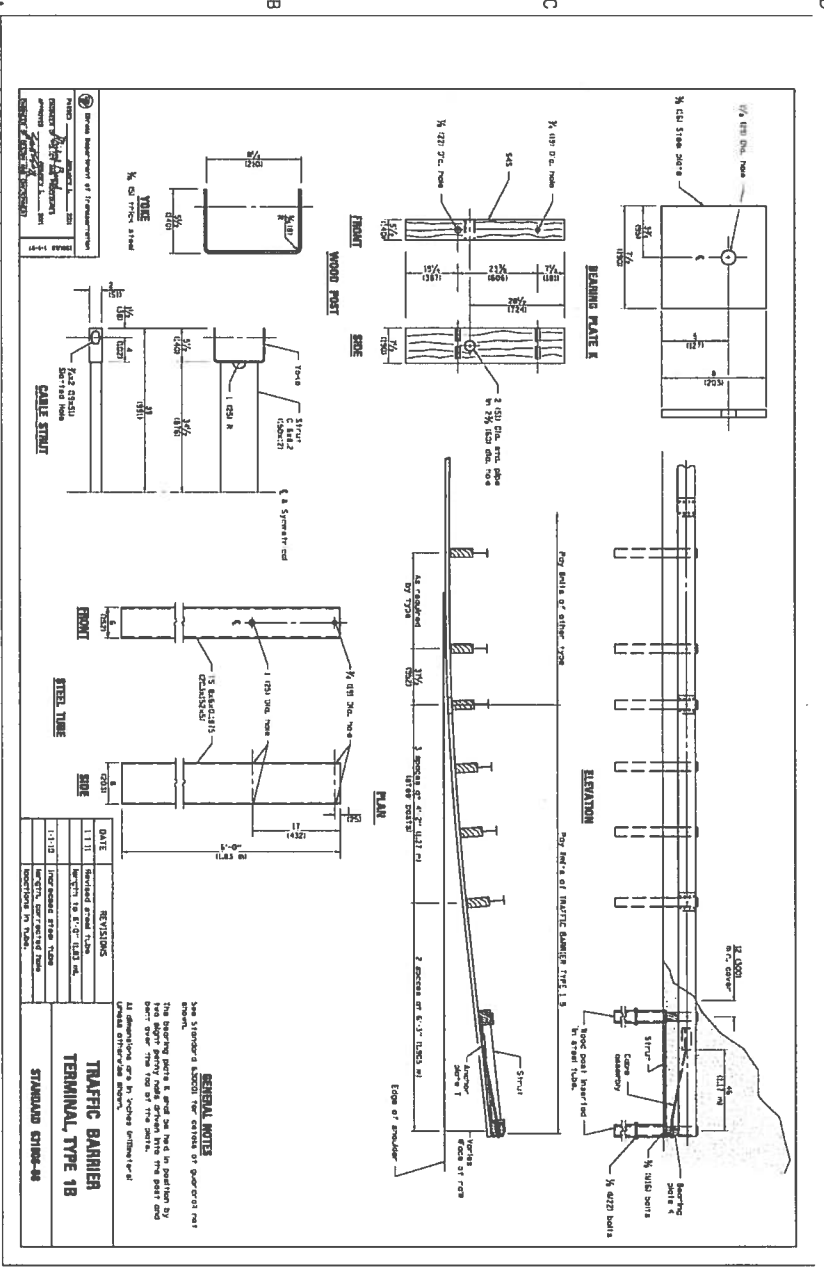
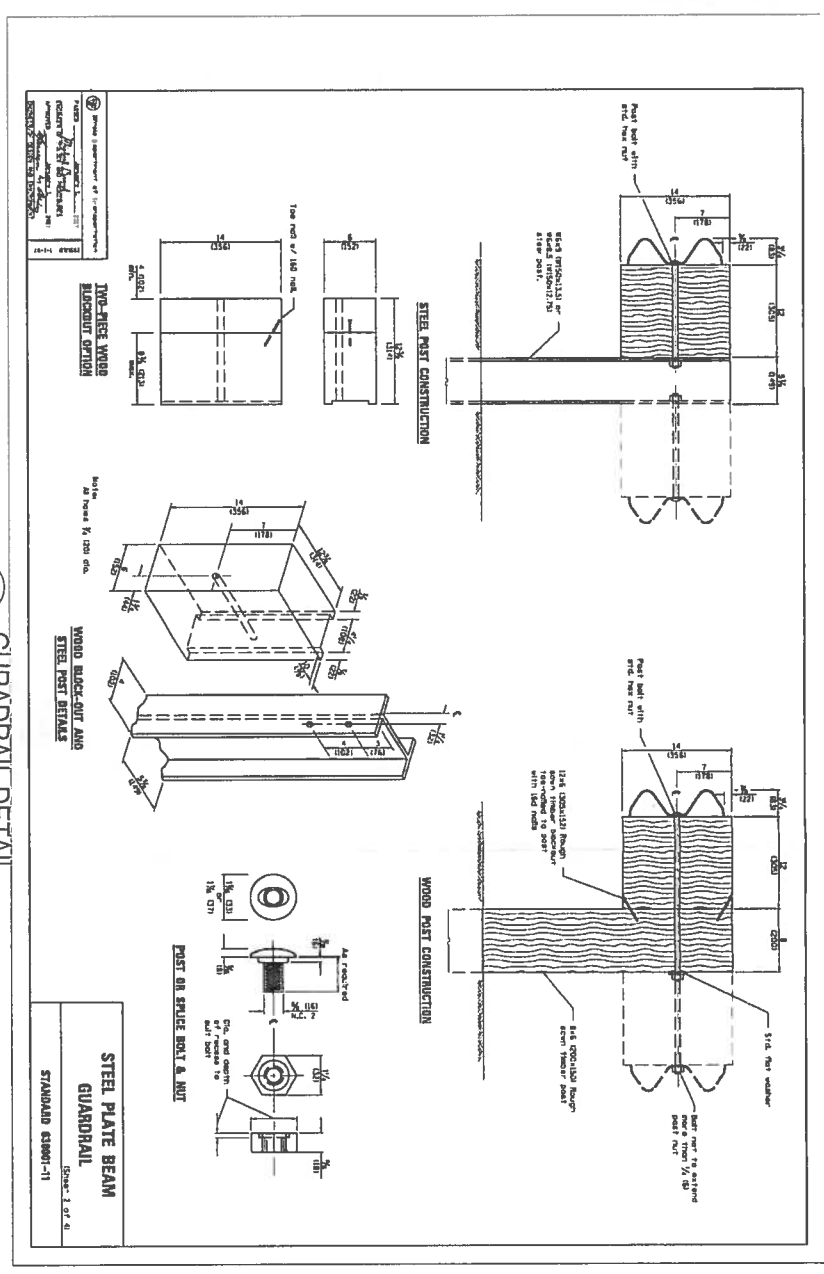
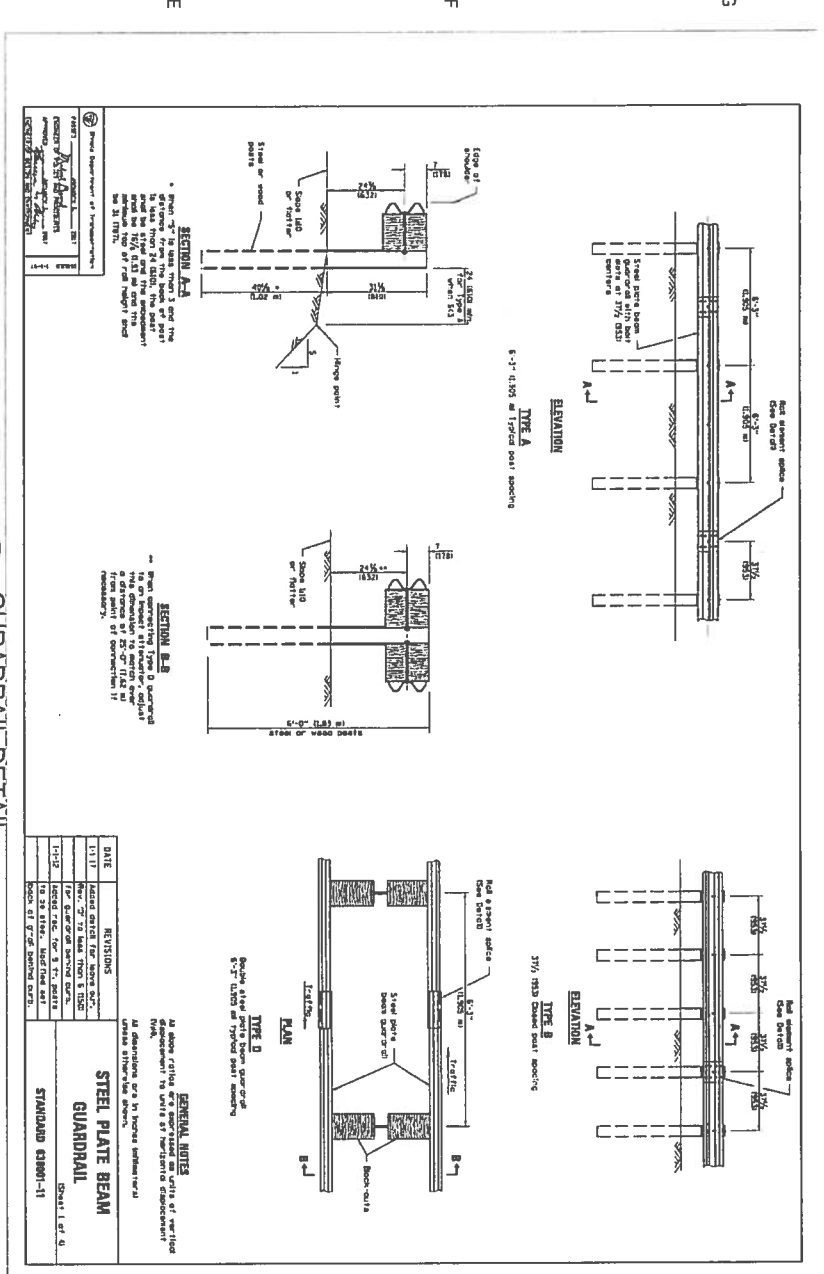
REVISIONS		
NO.	DATE	REMARKS



PROJECT NO.: 15062.003
DATE: 03/03/17

SHEET NO.: C2.1

C2.1



C2.2

SHEET NO: 03/03/17

PROJECT NO: 15062.003

DATE: 3/2/17

BY: 1/10/17

THOMAS LEE CROSBY
CITY OF TROY, ILLINOIS

CITY OF TROY, ILLINOIS
BASS DRIVE CULVERT REPLACEMENT
GUARDRAIL DETAILS

DATE ASSOCIATES
Consulting Engineers
COLLINSVILLE | ST. LOUIS | BELLEVILLE | ST. CHARLES

100 Lanter Court, Suite 1
Collinsville, IL 62234
tel 618.345.2200

www.dateassociates.com
ILLINOIS DESIGN FIRM LICENSE NO. 184.001115

NO.	DATE	REMARKS